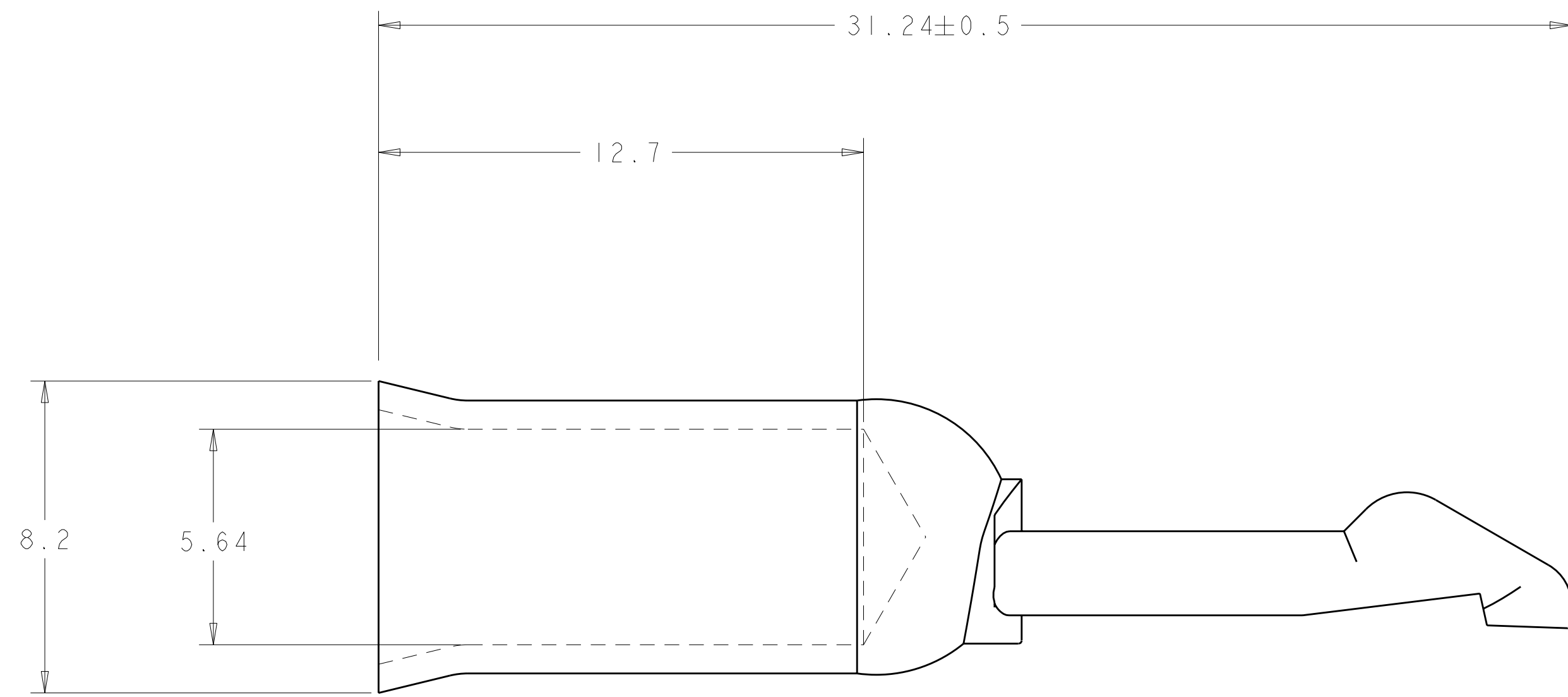
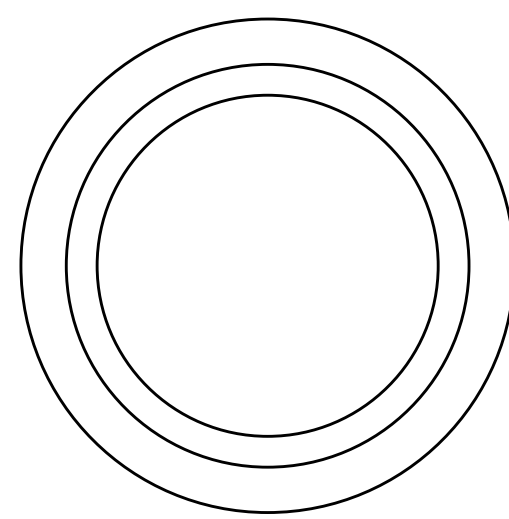
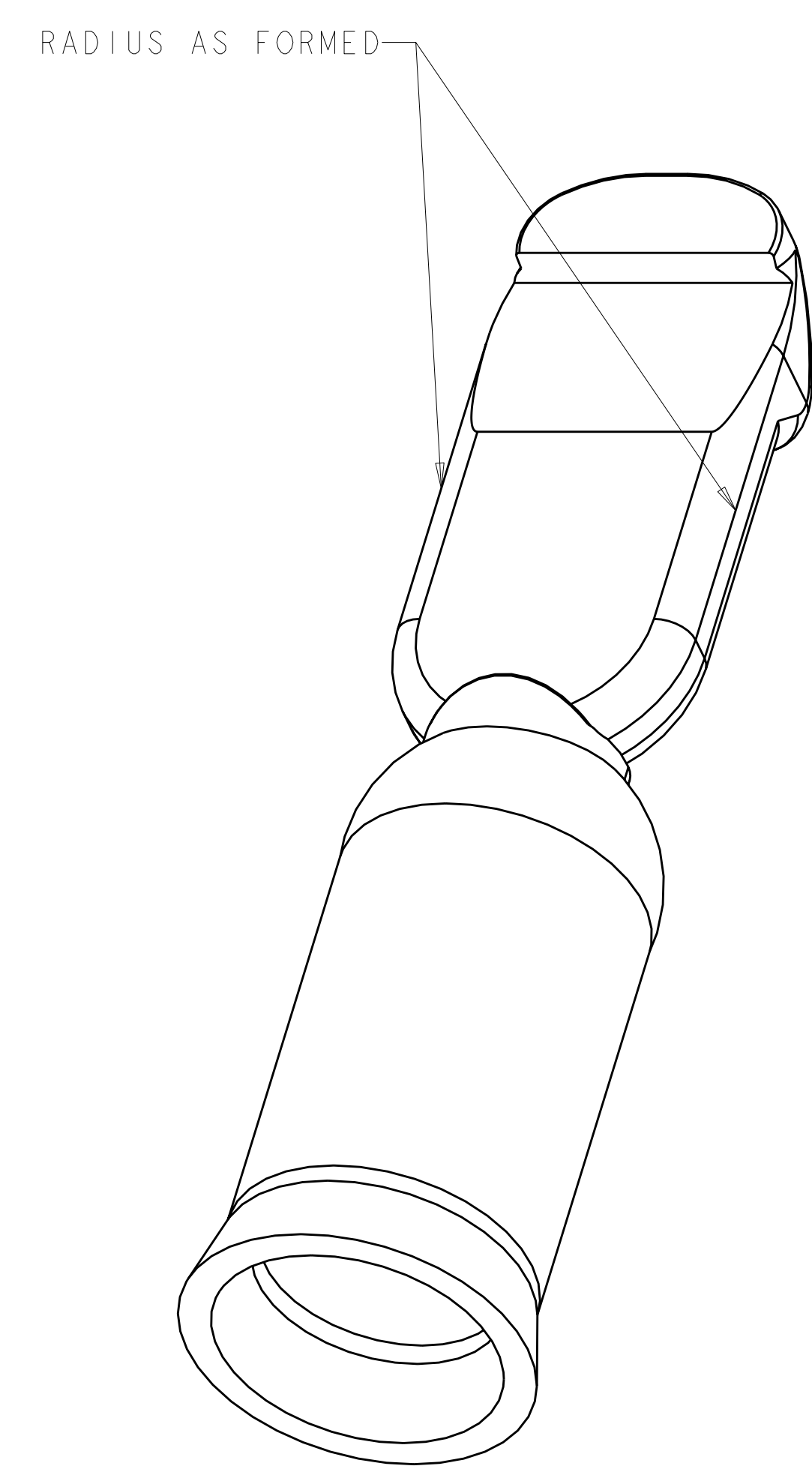
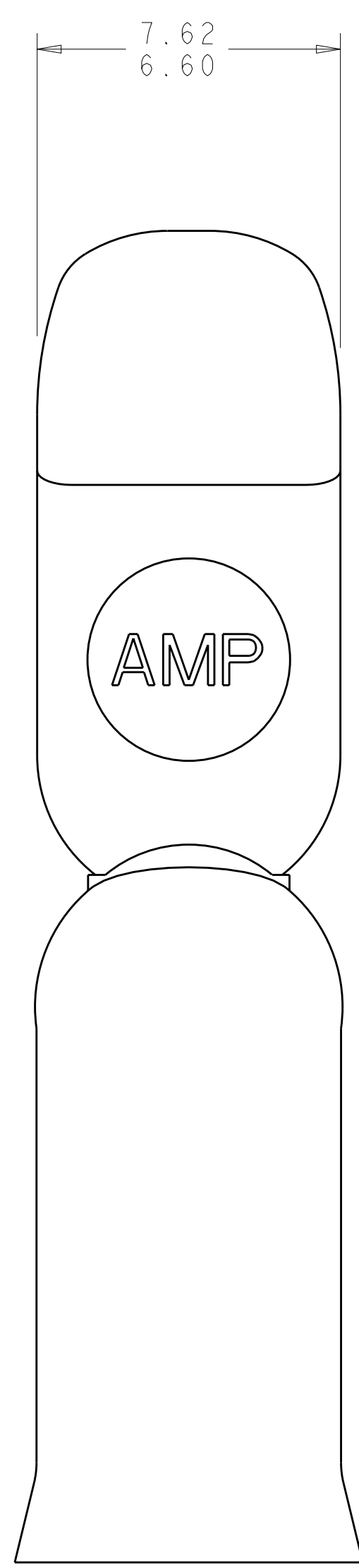


| LOC | DIST | REVISIONS |           |     |       |
|-----|------|-----------|-----------|-----|-------|
| CM  | 00   | REV       | DATE      | BY  | APP'D |
|     |      | A         | 12-DEC-03 | KW  | JE    |
|     |      | B         | 15APR2008 | KW  | SR    |
|     |      | BI        | 23JUL2008 | HMR | SR    |



1. MATERIAL: COPPER
2. PLATING: SILVER
3. THIS PRODUCT HAS PASSED VERIFICATION AND AGENCY APPROVALS TESTING AND IS COMPONENT RECOGNIZED PER UL 1977 AND CSA 22.2. TYCO ELECTRONICS PRODUCT QUALIFICATION TESTING IS NOT YET COMPLETE.

647877-1  
PART NO

**METRIC**

|  |  |   |  |
|--|--|---|--|
| <small>THIS DRAWING IS UNPUBLISHED. RELEASED FOR PUBLICATION BY TYCO ELECTRONICS CORPORATION. ALL RIGHTS RESERVED.</small> |  | DWN SHANE WUEST 12JUN2001<br>CHK KAK 12JUN2001<br>APP'D KAK 12JUN2001 | Tyco Electronics<br>Harrisburg, PA 17105-3608  |
| DIMENSIONS:<br>mm<br>  | TOLERANCES UNLESS OTHERWISE SPECIFIED:<br>0 PLC ±<br>1 PLC ±<br>2 PLC ±0.13<br>3 PLC ±<br>4 PLC ±<br>ANGLES ±5<br>FINISH | PRODUCT SPEC<br>APPLICATION SPEC<br>WEIGHT<br>CUSTOMER DRAWING        | NAME CONTACT, 6 AWG, AMP POWER SERIES 50 / 75<br>SIZE CAGE CODE DRAWING NO. RESTRICTED TO<br>A11 00779 C-647877<br>SCALE 8:1 SHEET 1 OF 1 REV BI |